

# SPA

**DISCONNECT PANEL**

**240 VOLT GFCI PROTECTION**

**Perfect for Spa, Fountain, Pond and Pool Applications**

**Safe & Easy to Install!**



**Model  
SPA-260**

**For All Sized Hot Tubs,  
Complete with Extra NEC  
Compliant Circuit Breaker**

- Protects Any Load up to 60 Amps (240V)
- Factory-Installed 15 Amp Circuit Breaker Enables Safe Use of Cord-Connected Appliances and Equipment in the Spa Area
- Side Opening, Drop-Down Door Allows Easy Wiring Access
- Perfect for Complying with the National Electrical Code

## Features

Factory-Installed  
120 Volt 15 Amp  
Branch Circuit Breaker

120/240 Volt 60 Amp  
GFCI Circuit Breaker

Space for Additional  
120 Volt Branch  
Circuit Breaker

Rainproof Enclosure  
with Side Opening  
Drop-Down Door

Lockable Latch

5508 128th Street E., Puyallup, WA 98373  
100 W. 11th Street, Suite 100, Anderson, IN 46016  
www.connecticut-electric.com • 1-800-472-3819

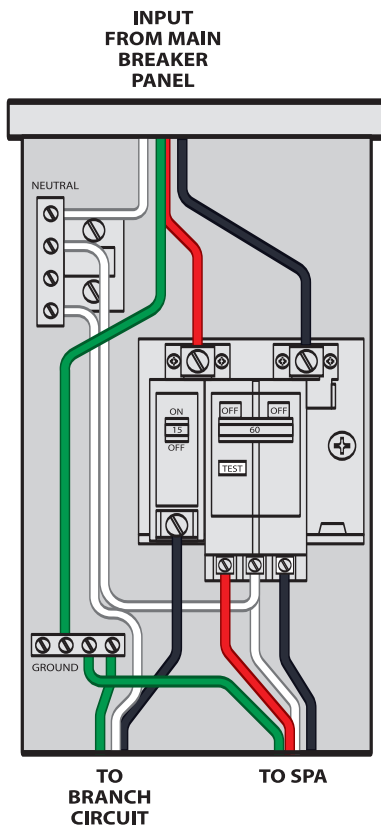
**Connecticut Electric**  
Quality Electrical Products • Since 1906

# SPA Disconnect Panel

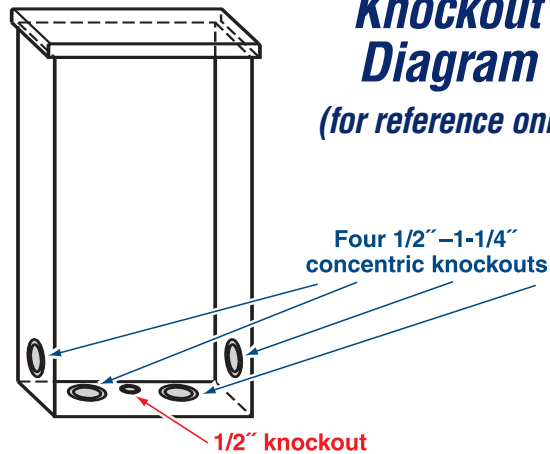
## Specifications & Wiring

Model No.	Amps	Volts	Dimensions H x W x D (in.)	Weight (lbs.)	Carton Qty.	UPC No.	Cube
SPA-260	60	120/240	12.5 x 7.5 x 5	10.5	4	0-94925-03077-8	2.96

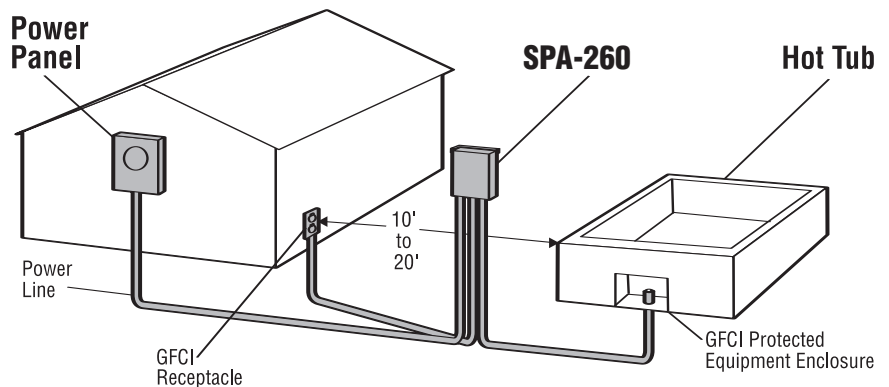
### Wiring Diagram (for reference only)



### Knockout Diagram (for reference only)



### NEC Compliant Installations



- A Load neutral is not required for 3-wire 240 VAC loads to spa, however a Line neutral to this panel is required for this device to function.

- **Extra breaker built-in** to supply the 120V receptacle needed within a 10 to 20 foot area from the spa/pool as required by NEC 680.22(A)(3).
- **Provides GFCI protection to the spa** as required by NEC Article 680.44
- **Provides the maintenance disconnect** required to be located within sight and at least 5 feet away from spa per NEC Article 680.12.